

SG20

General-Purpose Handheld Scanner

Improving customer satisfaction has long been the mission of retailers everywhere, and making the checkout process more efficient is a key area of focus. By providing highly responsive and accurate scanning at checkout, the Honeywell SG20 General-Purpose Handheld Scanner helps you improve the customer experience.

The SG20 2D scanner features industry-leading barcode reading technology, with superior motion tolerance. Common 1D and 2D barcodes are scanned easily and consistently so you can serve your customers more quickly.

Unlike conventional laser scanners, the SG20 2D scanner supports true omnidirectional scanning of both 1D and 2D barcodes. When combined with best-in-class motion tolerance, this capability means your barcodes scan fast, at almost any orientation. Now, you don't have to waste time awkwardly repositioning items to get a successful scan.

The SG20 family includes a range of models with different communication and scanning capabilities. Select between Bluetooth® wireless for up to 10 meters (32.8 feet) of range or the simplicity of tethered (cabled) connectivity.

Choose the scan engine matched to your needs: either 1D (linear), 2D with laser aimer, or 2D with LED aimer ideal for customer-facing applications. Now, you can standardize on a single scanner family across your operation while providing the right solution for your varied applications.



The SG20 affordable, high-performance handheld scanner is available in a range of models suited to the demands of general-purpose countertop scanning.

The stylish design of the SG20 scanner sets it apart from traditional gun-shaped handheld scanners. Careful attention to detail and extensive usability testing have resulted in a scanner that is not only aesthetically pleasing on any countertop, but also optimized for user comfort with a natural smooth grip and trigger location.

The arching profile of the SG20 scanner is perfect for tight spaces and the over-sized multi-color LED provides a bright visual cue to confirm a successful scan, which can be helpful in noisy environments. In fact, the LED can be programmed to match the decor of your storefront.

FEATURES & BENEFITS



Available with 2D imaging technology for highly responsive, dependable scanning.



Distinctive, ergonomic styling maximizes comfort and saves countertop space.



Large LED indicator provides effective visual operational feedback.



Choice of options matched to your scanning needs: 1D or 2D scan engines, laser- or LED-based aimer, tethered or Bluetooth wireless.



Integrates seamlessly with point of sale systems, iOS and Android™ devices, personal computers and common software solutions.

SG20 Technical Specifications

PHYSICAL CHARACTERISTICS

Dimensions (L x W x H): 20 x 6.1 x 6.5 cm (7.9 x 2.4 x 2.6 in)

Weight: SG20T: 125 g (4.41 oz)
SG20B: 175 g (6.17 oz)

ELECTRICAL

Battery: Lithium-ion rechargeable (1567 mAh)

Battery Life: Minimum 8K scans from 70% capacity

Battery Recharge Cycle: 3 hours when connected to external power supply; 6 hours when slow charged from typical USB port

TYPICAL POWER CONSUMPTION

Tethered Versions @5V DC: 120mA (SG20T1D); 330mA (SG20THP)

Wireless Versions (Base Station): 0.5A maximum

BLUETOOTH RADIO

Type: Bluetooth Class 2 v2.1+EDR

Range: 10 m (32.8 ft)

Features: Adaptive Frequency Hopping (AFH)

CONNECTIVITY

- USB: HID Keyboard (with Apple® iOS Support), HID POS*, IBM SurePOS*, virtual communications port
- PC keyboard wedge
- RS-232

* Tethered versions

SCAN TECHNOLOGY

SG20xHP: Honeywell Area Imager, Laser Aimer (EA30)

SG20x2D: Honeywell Area Imager, LED Aimer (EA31)

SG20x1D: Honeywell Linear Imager (EV Series)

SCAN PERFORMANCE

Minimum Code Resolution: 1D Codes: 4 mils

2D Codes: 6.6 mils

Minimum Print Contrast: 20%

Motion Tolerance: SG20xHP: 12.7 m/s (500 in)

SG20x2D: 10.16 m/s (400 in)

BARCODE SYBLOGIES SUPPORTED

1D: Codabar, Code 11, Code 39, Code 93/93i, Code 128 / GS1-128, EAN/UPC, GS1 DataBar Limited, GS1 Composite (linear only), GS1 DataBar Expanded, GS1 DataBar Omnidirectional, Interleaved 2 of 5, Matrix 2 of 5, MSI, Plessey, Standard 2 of 5, Telepen

2D: All symbologies supported by 1D model plus the following: Australian Post, Aztec, BPO, Canada Post, Codablock A, Codablock F, DataMatrix, Dutch Post, EAN/UPC, GS1 Composite, GS1 DataBar Stacked, Infomail, Intelligent Mail, Japan Post, Maxicode, Micro PDF417, Multicode, PDF417, Planet, Postnet, QR Code, Sweden Post, TLC 39

TEMPERATURE AND ENVIRONMENTAL

Operating Temperature: 0°C to 50°C (32°F to 122°F)

Storage Temperature: -20°C to 60°C (-4°F to 140°F)

Relative Humidity: 5% to 95% non-condensing

Drop: 1 m (3.4 ft) to concrete

Environmental Rating: IP30

Ambient Light: 0 to 100,000 lux

ELECTROMAGNETIC EMISSIONS

Meets the requirements of the following product emission standards:

United States: FCC Part 15 Class B

Canada: Industry Canada ICES-003 Class B

European Union: EN 55022: CISPR 22 Class B

ENVIRONMENTAL COMPLIANCE

Conforms to environmental compliance requirements for RoHS, China RoHS, WEEE, and REACH

REGULATORY APPROVALS

UL; CE Mark (EU); NOM (Mexico); C-TICK (Australia and New Zealand); SRRS (China); IDA (Singapore); ANATEL (Brazil); Industry Canada ICES-003 Class B (Canada)

STANDARD WARRANTY

Tethered Models (SG20T): 5 years

Wireless Models (SG20B): 3 years

Extended protection available with Honeywell Repair Services – for more information, visit www.honeywellaidc.com

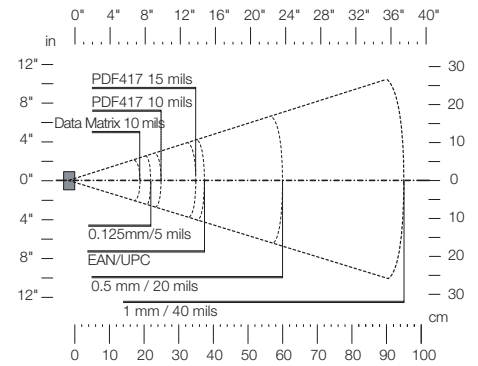
ACCESSORIES

Consult the SG20 Accessory Guide for details.

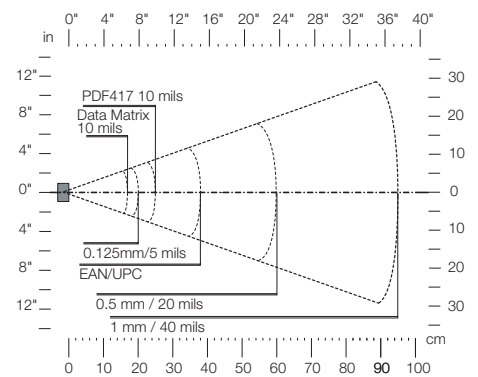
- Adjustable hands-free desktop scan stand
- Desktop/wall mount holder
- Charge base (for wireless versions)
- Bluetooth charge base (for wireless versions)
- USB, RS-232, keyboard wedge interface cables
- EasySet™ configuration software

TYPICAL READING DISTANCES*

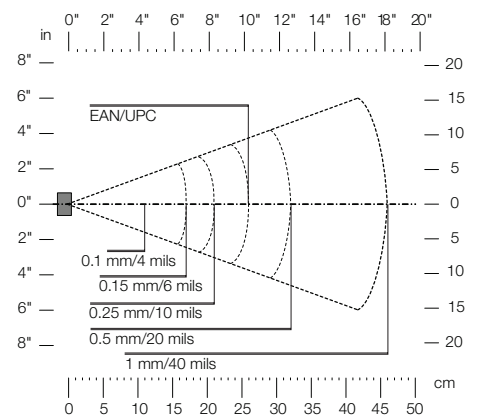
SG20xHP



SG20x2D



SG20x1D



* The reading distances for each scanner are typical distances measured from the front end of the scanner bezel in an office environment (200 lux) with extended reading range activated.

For a complete listing of all compliance approvals and certifications, please visit www.honeywellaidc.com/compliance.

For a complete listing of all supported bar code symbologies, please visit www.honeywellaidc.com/symbologies.

Bluetooth is a trademark or registered trademark in the US and/or other countries of Bluetooth SIG, Inc. Android is a trademark or registered trademark in the US and/or other countries of Google, Inc. Apple is a trademark or registered trademark in the US and/or other countries of Apple Inc. EasySet is a trademark or registered trademark in the US and/or other countries of Texas Instruments Incorporated.

Honeywell Scanning & Mobility

9680 Old Bailes Road

Fort Mill, SC 29707

800-582-4263

www.honeywell.com

SG20GP-DS Rev E 08/15
© 2015 Honeywell International Inc.



Honeywell